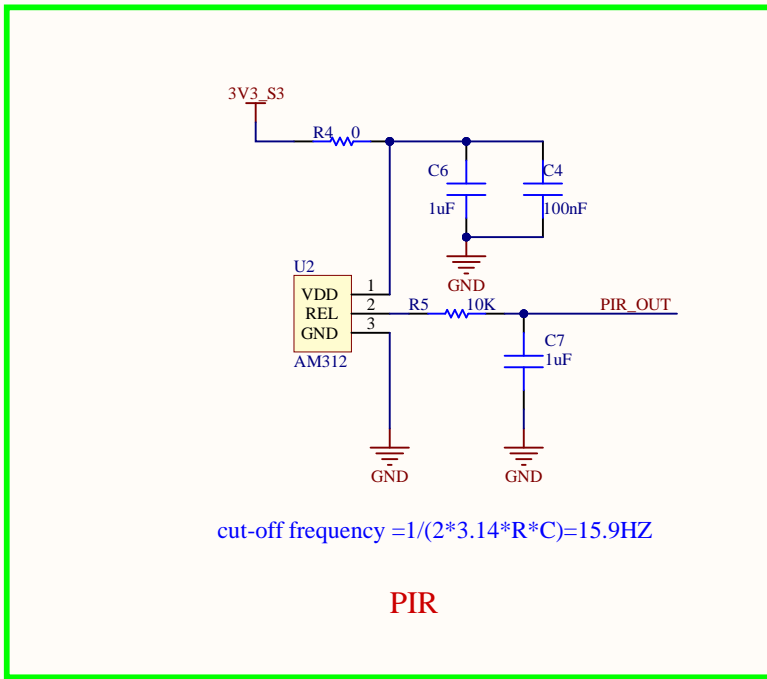


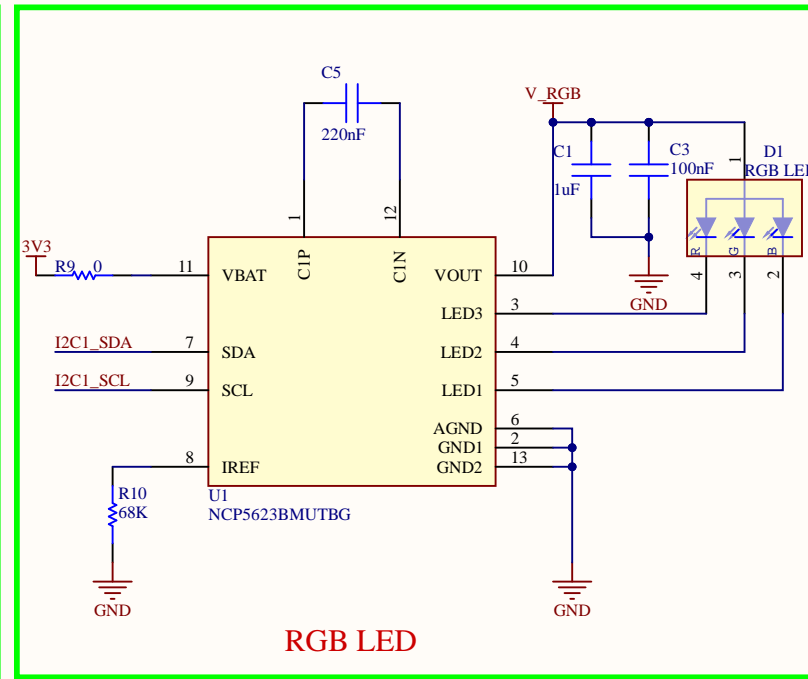
SENSOR SLOT A
RAK12010/RAK1903

SENSOR SLOT B
RAK1901/RAK1902/RAK1906

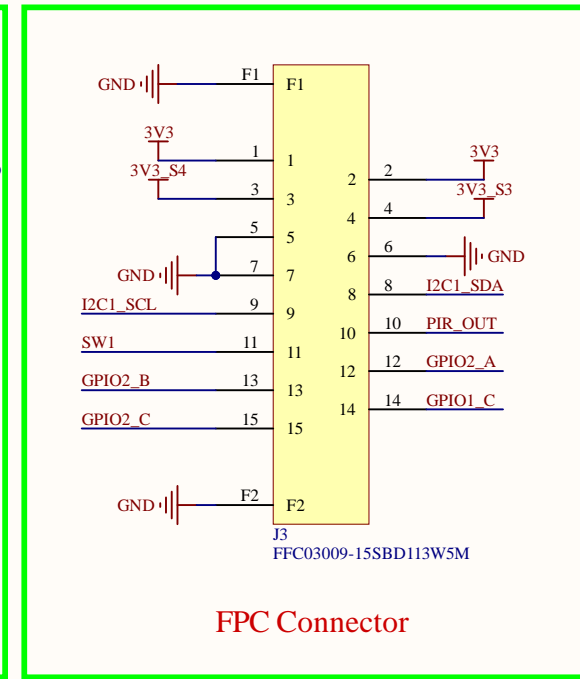
SENSOR SLOT C
RAK12047



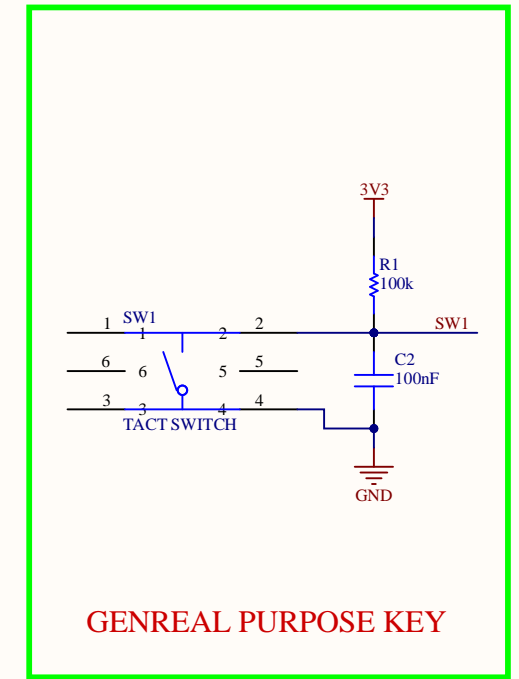
PIR



RGB LED



FPC Connector



GENREAL PURPOSE KEY

7 Bit I2C Address
 RAK12010 : 0x10
 RAK1901: 0x70
 RAK1902: 0x5C
 RAK1906: 0x76
 RAK12047: 0x59
 RGB Driver:0x38

