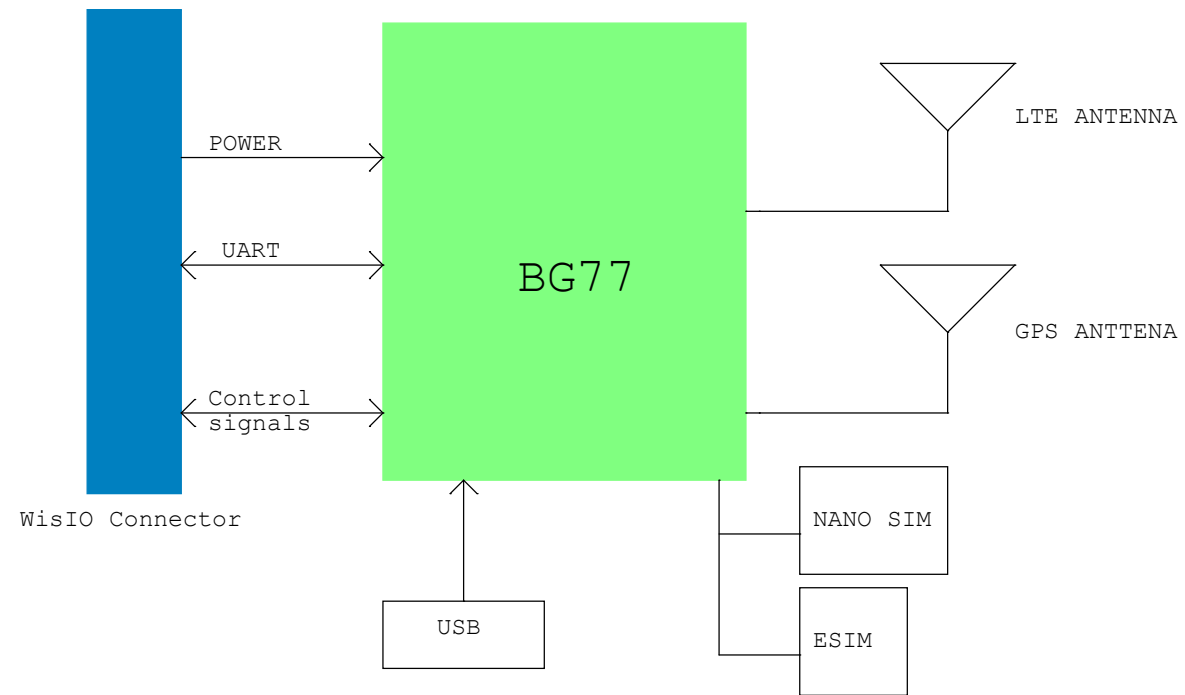
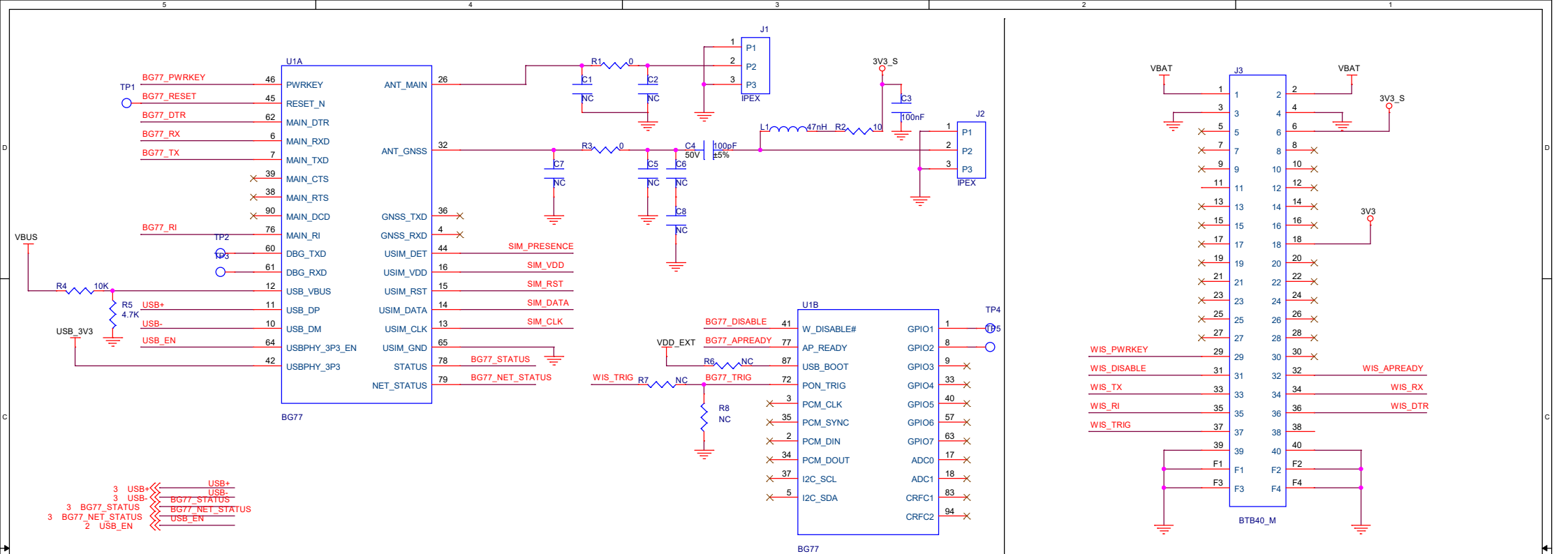


# WisIO BG77 Cellular modular



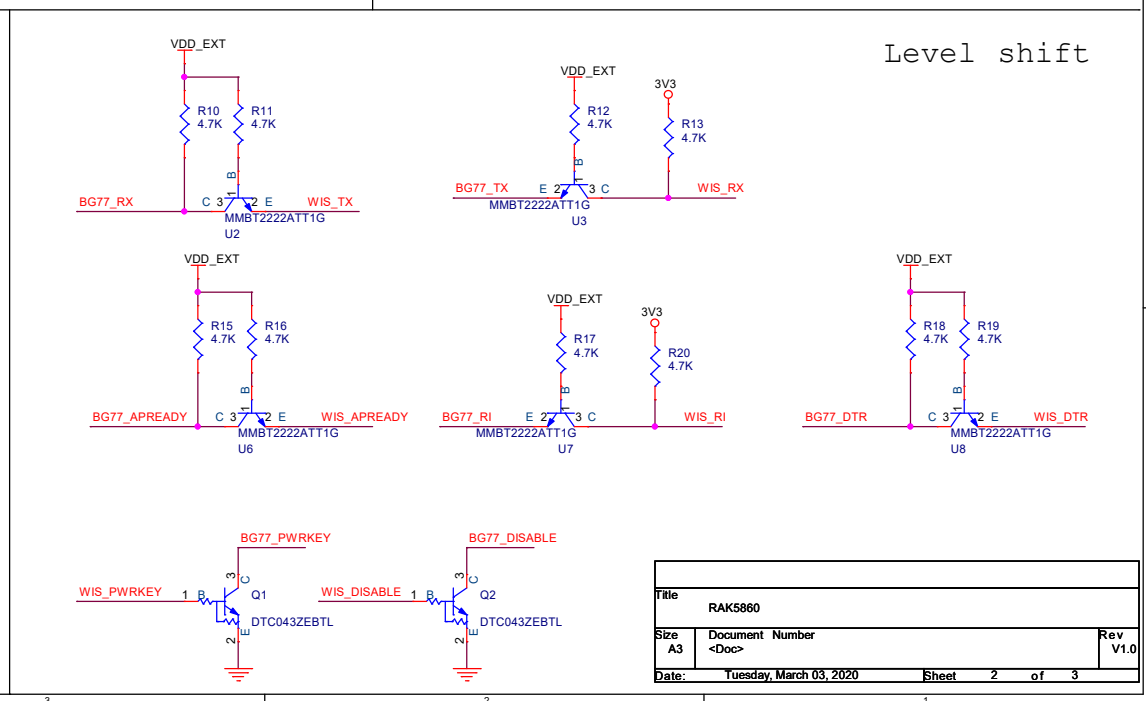
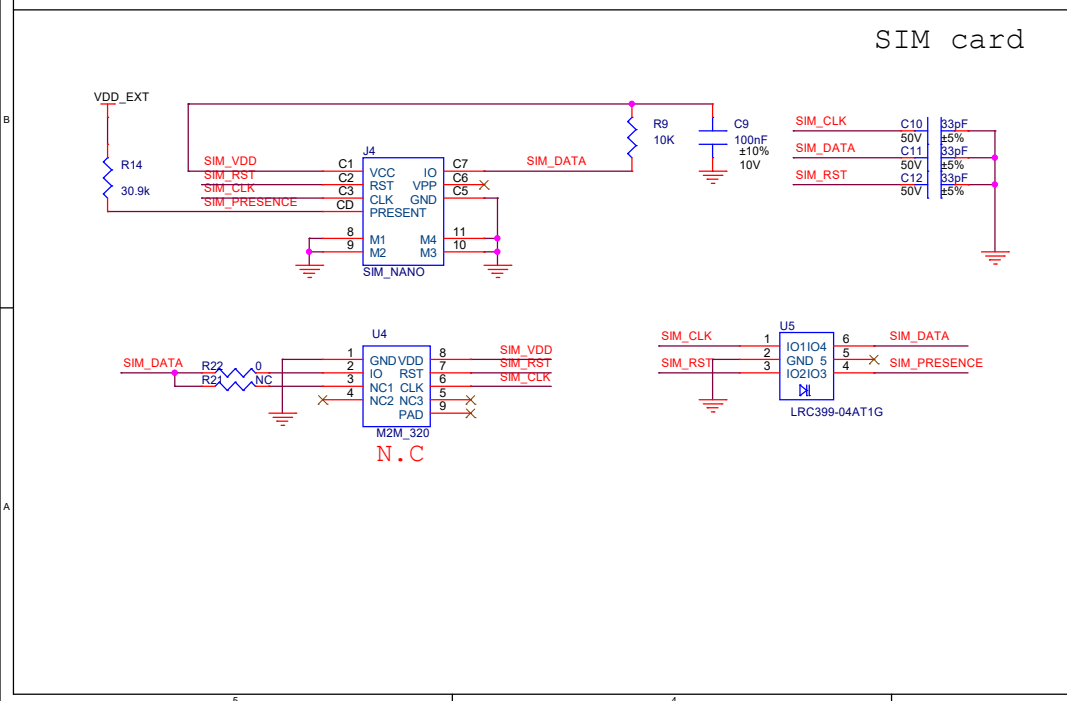
1. GPS should be 3-5V  
2. external interface is 1.8V

Title		
RAK5860		
Size	Document Number	Rev
A3	<Doc>	V1.0
Date:	Friday, February 28, 2020	Sheet 1 of 3

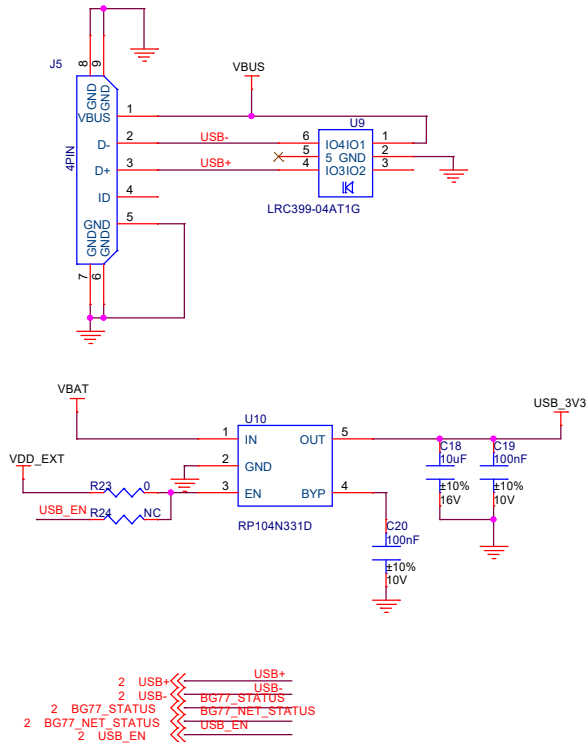


BG77

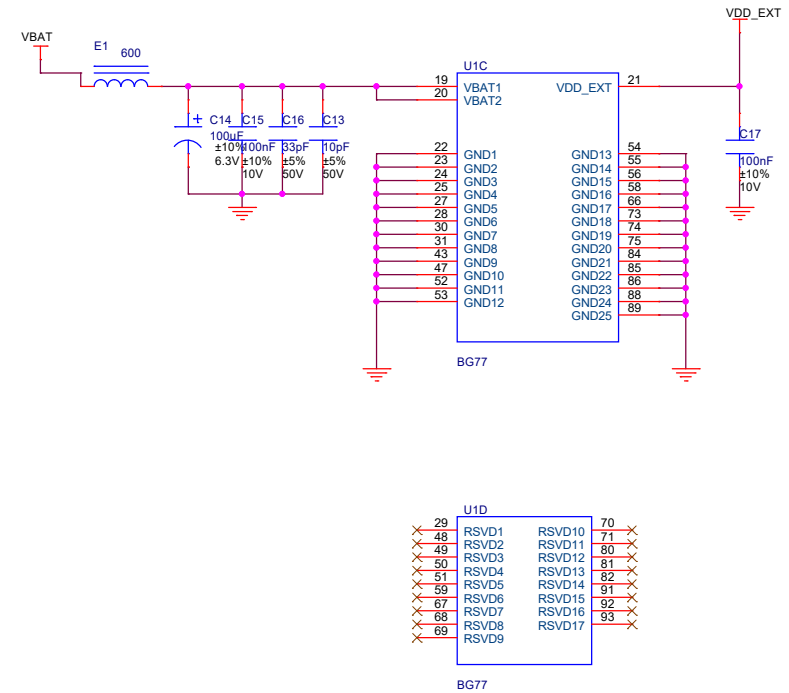
WisIO connector



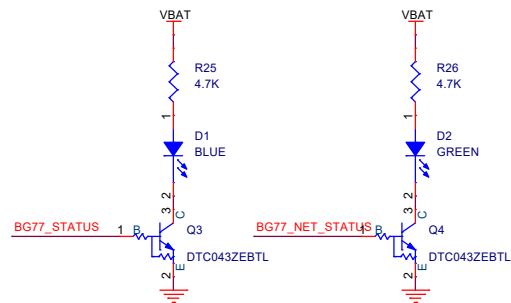
File	RAK5860		Rev	V1.0
Size	A3	Document Number	<Doc>	
Date:	Tuesday, March 03, 2020	Sheet	2 of 3	



USB connector



BG77



LED

HOLES

